

## i-2 LOUDSPEAKER



The i-2 is an ultra-compact loudspeaker, designed primarily for applications where physical size, dispersion control and sonic performance are critical.

The i-2 was designed to provide a discrete fullrange solution for a variety of applications. The i-2 is small enough to be used as front-fill or under balcony delay in theatres, as well as a foreground loudspeaker in cafés and bars – or any situation where exact distributed sound is required. Not only does the enclosure design ensure it fits tightly to ceilings, the HF drive unit can be easily and quickly rotated to allow vertical orientation of the enclosure, whilst maintaining the required coverage pattern.

The compact enclosure houses two 5" (127mm) LF/MF drivers and a 4" HF (101mm) diaphragm on a planar waveguide giving the i-2 its 90° x 30° HF pattern. The waveguide is rotatable to allow easy use in either vertical or horizontal orientation. A new internal UniPhase three-way passive crossover maintains flat frequency and phase

responses, allowing the i-2 to compare to products requiring dedicated control devices while only utilising one amplifier channel. The i-2 does not encounter the time-smearing typically found in other passive or active enclosures of this type. The sealed enclosure design creates a very gentle LF roll off, allowing the i-2 to reproduce meaningful bass even when used on its own, if required. The addition of i-8 subwoofers will give the extra low frequency extension required for higher SPL applications, thereby completing a compact true fullrange system.

### TECHNICAL SPECIFICATIONS

ENCLOSURE TYPE:	3-way sealed enclosure
DIMENSIONS (HxWxD):	151 (5.9) x 470 (18.5) x 192 (7.6) mm/(ins)
NET/SHIPPING WEIGHT:	9/11kg
FREQUENCY RESPONSE <sup>1</sup> :	90Hz – 18KHz +/- 3dB
SENSITIVITY <sup>2</sup> :	91dB
DISPERSION <sup>3</sup> :	90° x 30° rotatable
DRIVE UNITS:	2 x 5" (127mm) LF/MF cone drive units 1 x 4"x1" (100mm x 25mm) planar wave HF drive unit
POWER HANDLING:	200W RMS, 400W program
MAXIMUM SPL:	110dB continuous, 116dB peak
NOMINAL IMPEDANCE:	8 ohms
CROSSOVER:	UniPhase internal passive
CONNECTORS:	2 x Neutrik Speakon™ NL4MP
ENCLOSURE:	15mm (5/8") multi-laminate Birch plywood – rebated, screwed & glued. Finished in black Warnex textured paint
RIGGING/SUSPENSION:	2 x M10 internal flypoints, 2 x M8 internal flypoints 4 x M6 internal flypoints for Omnimount™ Series 30/Powerdrive™ Series 75 products 2 x 3/8" threaded fittings
GRILLE:	Polyester coated perforated steel mesh
OPTIONS:	Colours Connectors

#### Notes on measurement conditions:

<sup>1</sup>Measured on-axis

<sup>2</sup>Average SPL over stated bandwidth with 1W input, measured at 1m

<sup>3</sup>Nominal dispersion, averaged over stated bandwidth

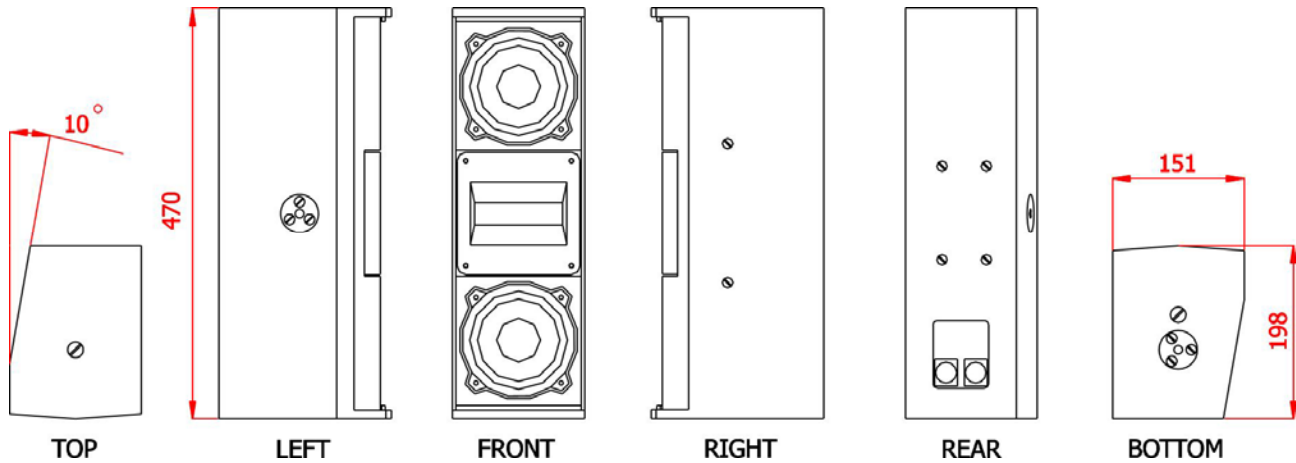
*EM Acoustics operates a continuous policy of research and development, and as such reserves the right to alter specifications without notice*

# TECHNICAL DATA SHEET



## i-2 LOUDSPEAKER

### ENGINEERING DRAWING



### OPTIONAL RIGGING HARDWARE



YK-i2 HANGING YOKE



VERTICAL MIC STAND MOUNTING



HORIZONTAL MIC STAND MOUNTING



POWERDRIVE WHH75 WALL BRACKET

### ENCLOSURE OPTIONS

#### Colours

Supplied as standard in black, however white & grey are available as options. By special order, any colour can be provided if the relevant RAL or Pantone colour code or a colour sample is provided.

#### Connectors

Neutrik Speakon™ NL4MP connectors supplied as standard. i-2 can be supplied with XLR connectors, or non-standard connectors by special order.