

i-1 LOUDSPEAKER



The i-1 is an ultra-compact satellite loudspeaker, designed primarily for applications where physical size and sonic performance are critical.

The i-1 was designed to provide a discrete mid/high solution for a variety of installation applications. The i-1 is small enough to be used as front-fill or under balcony delay in theatres, as well as a foreground loudspeaker in cafés, bars, museums or themed attractions. Not only does the enclosure design ensure it fits tightly to ceilings, the controlled conical dispersion pattern provides predictable coverage in any orientation.

The compact enclosure houses a single 4" titanium cone drive unit, and with the integral acoustic ring generates the 75° x 75° HF pattern. The drive unit is magnetically shielded for use in A/V applications. An internal passive crossover network maintains flat frequency and phase responses, allowing the i-1 to compare to products requiring dedicated control devices while only requiring a high pass filter from

any normal active crossover or audio matrix unit. The use of a single drive unit means the i-1 does not encounter the time-smearing present in some two-way designs. The sealed enclosure design creates a very gentle LF roll off, allowing the i-1 to reproduce meaningful bass even when used on its own, if required. The addition of i-8 subwoofers will give the extra low frequency extension for a compact true fullrange audio solution.

TECHNICAL SPECIFICATIONS

ENCLOSURE TYPE:	compact fullrange	Notes on measurement conditions: ¹ Measured on-axis ² Average SPL over stated bandwidth with 1W input, measured at 1m ³ Nominal dispersion, averaged over stated bandwidth
DIMENSIONS (HxWxD):	130 (5.1) x 130 (5.1) x 167 (6.6) mm/(ins)	
NET/SHIPPING WEIGHT:	2/3kg	
FREQUENCY RESPONSE ¹ :	130Hz – 18KHz +/- 3dB	
SENSITIVITY ² :	91dB	
DISPERSION ³ :	75° conical	
DRIVE UNITS:	1 x 4" (102mm) titanium cone drive unit	
POWER HANDLING:	40W RMS, 80W program	
MAXIMUM SPL:	102dB continuous, 108dB peak	
NOMINAL IMPEDANCE:	8 ohms	
CROSSOVER:	internal passive & active high pass required, recommended above 130Hz (24dB/Octave L-R)	
CONNECTORS:	2 x 4mm binding posts	
ENCLOSURE:	12mm (1/2") multi-laminate Birch plywood – rebated, pinned & glued. Finished in black Warnex textured paint	
RIGGING/SUSPENSION:	4 x M5 internal flypoints Supplied complete with YK-i1 hanging yoke	
GRILLE:	Polyester coated perforated steel mesh	
OPTIONS:	Colours	

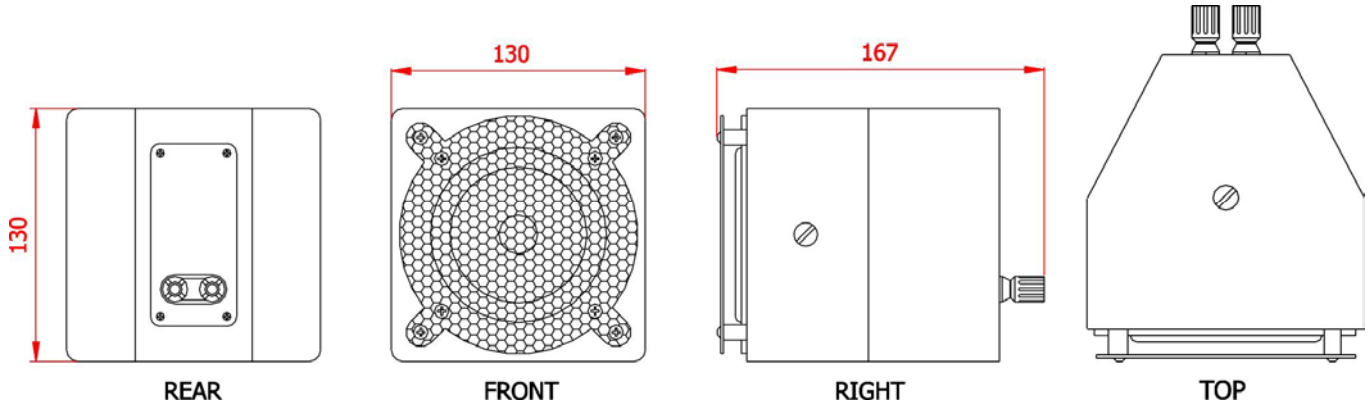
EM Acoustics operates a continuous policy of research and development, and as such reserves the right to alter specifications without notice

TECHNICAL DATA SHEET



i-1 LOUDSPEAKER

ENGINEERING DRAWING



OPTIONAL RIGGING HARDWARE



YK-i1 HANGING YOKE

ENCLOSURE OPTIONS

Colours

Supplied as standard in black, however white & grey are available as options. By special order, any colour can be provided if the relevant RAL or Pantone colour code or a colour sample is provided.